



# Understanding Versadjust Installation Details

**VERSADJUST**  
Adjustable Pedestals

February 2018

The Versadjust, adjustable V-Series, Pedestal line reaches heights from 2 1/4" to 36" (57.15 to 914.4 mm), has a 1250 lbf FS:3 weight bearing capacity, and contains built in base levelers to compensate for 0" to 1/2" per foot slope (0-4%). Precise spacer tabs maintain uniform paver spacing and allow for deck drainage, and the screw-to-adjust height setting assures a perfectly level deck. The Bison Versadjust Pedestal has a broad footprint that provides stability, is impervious to freeze thaw cycles, and offers a range of heights suited to almost any application. Made in the USA.

The Versadjust Quick Clip Coupler © (patent pending) increases speed and efficiency installing pedestals at heights over 9" (228.6 mm). Accessories are available to compensate for additional slope (up to 1" per foot or 8%) and for low height applications from 1/8" to 2 1/4" (3.175 to 57.15 mm).

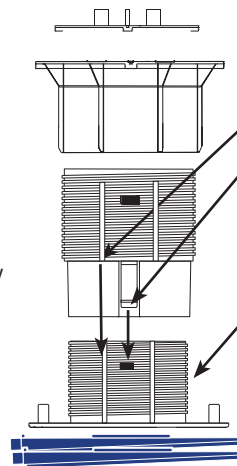
Use the Bison Brace System with Versadjust Pedestals for extended cavity height installations from 24" to 36" (609.6 to 914.4 mm) or for installations where additional stability is deemed necessary.

### VT Spacer Tab

(Specify tab width when ordering)  
VT316 - 3/16" (4.5 mm) standard  
VT18 - 1/8" (3.175 mm) optional  
Place spacer tab on top of pedestal.  
To remove tabs, strike spacer tabs with hammer on edge.

### V-Series Top

Comes screwed into V-Series Base. Unscrew top until thread engagement indicators are felt and heard. DO NOT extend beyond this point except to add a VC2 Quick Clip Coupler to a V4 Pedestal.



### VC2 Quick Clip Coupler (Works with Model V4 only)

**To Assemble:**  
Align lines on coupler and base.  
Align tab with quick clip slot.  
Slide together until tab locks into place.  
**To Separate:**  
Hook VC2 Quick Clip Coupler Release Tool into slots on the side of the pedestal base or coupler, detach tool, and pull apart.

### V-Series Base

Comes screwed into V-Series Top. Unscrew top until thread engagement indicators are felt and heard. DO NOT extend beyond indicators except to add an VC2 Quick Clip Coupler to a V4 Pedestal.

### VB Base Leveler

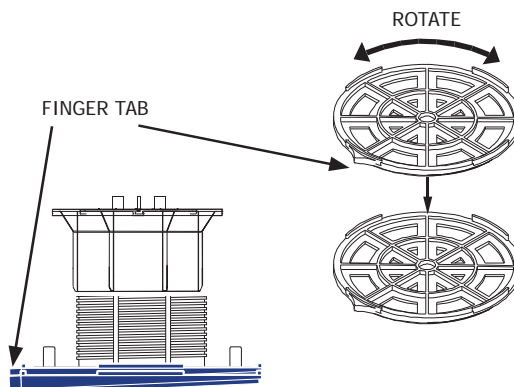
Built-in base provides 0" - 1/2" per foot slope compensation (0-4%).

## Built In Slope Base Compensation

Each V-Series Pedestal comes with a VB Base Leveler that compensates for up to 1/2" per foot slope (4%).

**Slope Adjustment:**  
Point both finger tabs downhill for 1/2" per foot slope (4%).  
Rotate base pieces for precise slope compensation.

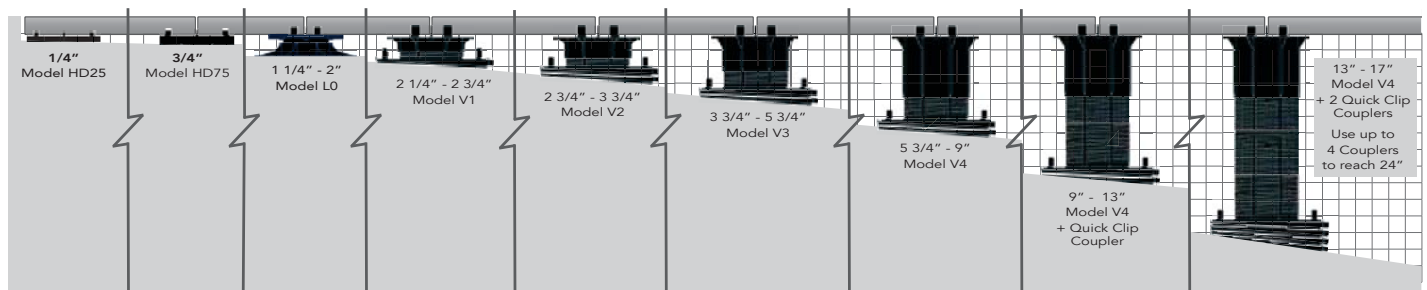
**To Create a Flat Base:**  
Position finger tabs opposite one another.



AS SHOWN: 2x LD4s COMPENSATING FOR 1/2" PER FOOT SLOPE (4%)

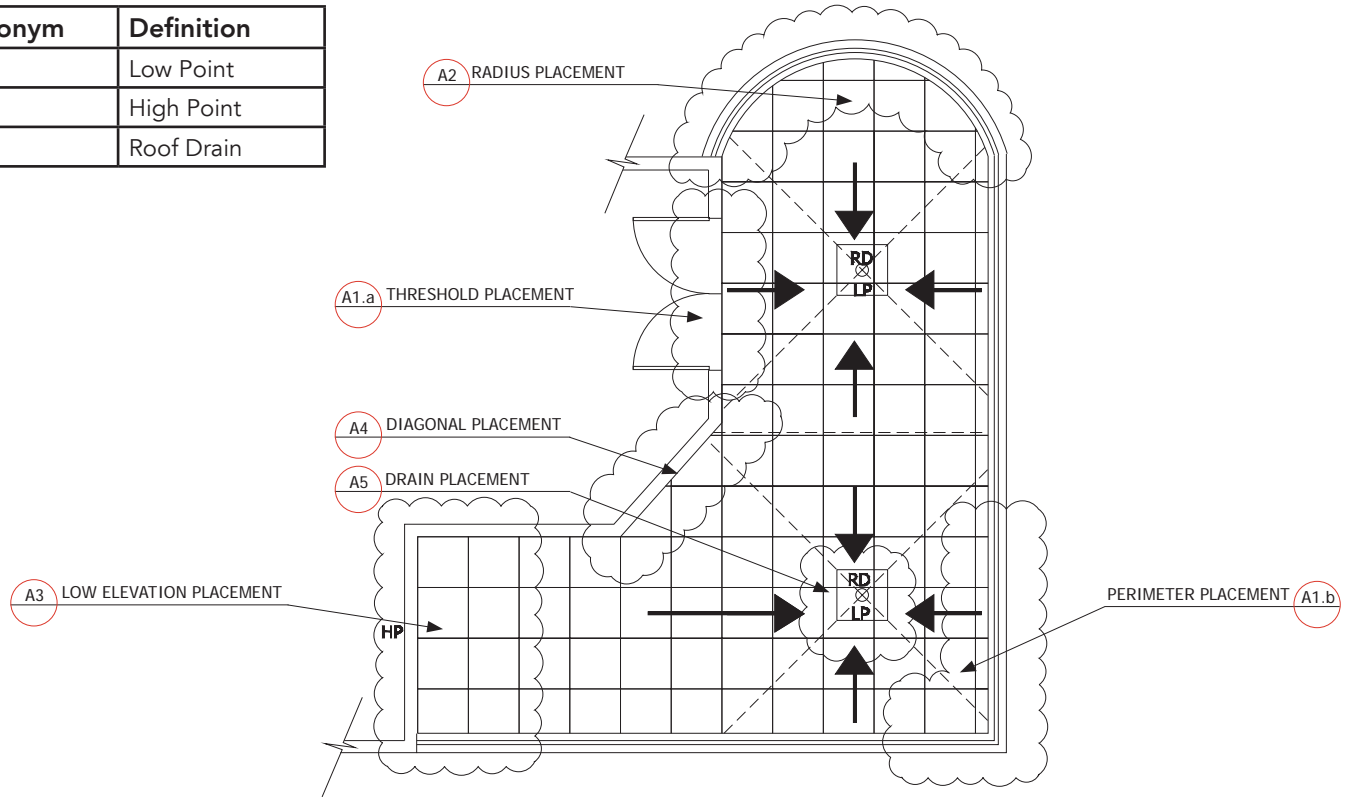
To remove VB Base Leveler, slide pedestal base out of VB Base Leveler.

For additional slope compensation, a maximum of 2 additional LD4 Base Levelers can be used with the V-Series Pedestals adding an additional 1/2" per foot slope (4%) for a total of 1 inch per foot slope (8%). Each LD4 adds 1/4" (6.35 mm) to the overall height of the pedestal.



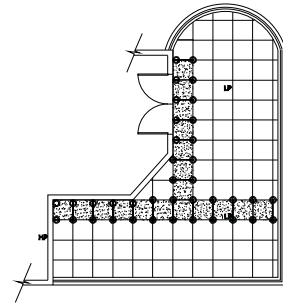
# Advanced Layout and Pedestal Placement

Acronym	Definition
LP	Low Point
HP	High Point
RD	Roof Drain



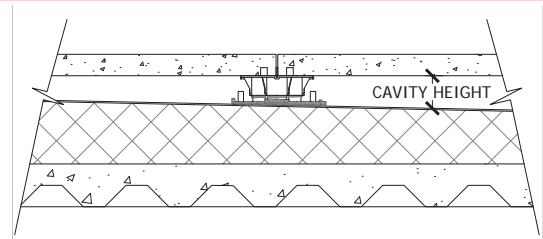
## "T" Method Installation

1. Determine cavity heights at all thresholds, drains, and high points.
2. Deduct thickness of decking material.
3. Mark top of pedestal elevation around deck with chalk line or laser level.
4. Plan paver/pedestal layout pattern in advance.
5. Install "T" shaped portion of deck starting from threshold or high point.
6. Adjust to correct height and level.
7. Install on both sides of the "T".



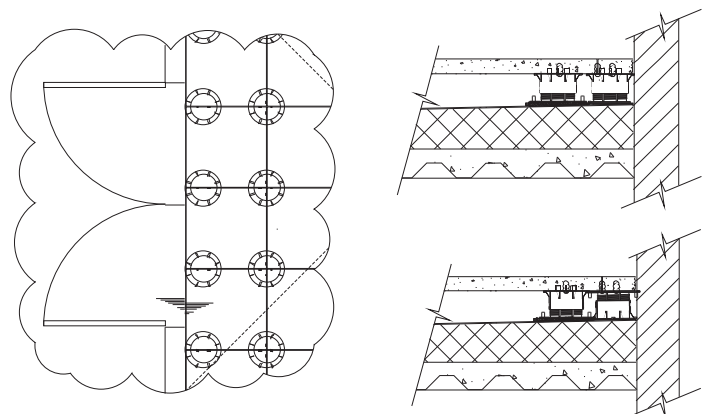
## Determining Cavity Height

- The cavity height is the space between the top of the roofing membrane and the bottom of the decking material.
- Use a laser level or chalk line to assist.
- Refer to the detachable measuring device printed on the box.



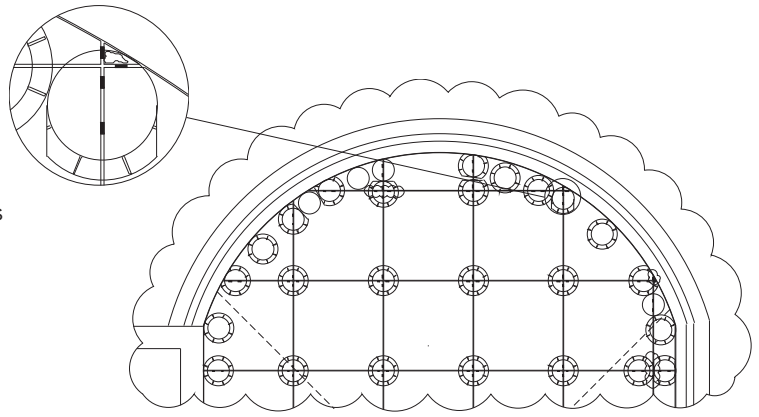
## A1 (a) Threshold and (b) Perimeter Placement

- Use extra pedestals under small cut pieces for additional support.
- Adhere small pavers to top of pedestal with construction adhesive.
- Remove tabs as necessary for perimeter pedestals.
- Turn pedestals upside down or trim pedestal bases as necessary to fit around the perimeter.
- Decking pavers must not be spaced more than 3/16" (4.5 mm) from the perimeter containment.
- Adhere tabs into place with construction adhesive to maintain spacing between pavers when normal tab placement is not possible.



## A2 Radius Placement

- Use extra pedestals under small cut pieces for additional support.
- Adhere small pavers to top of pedestal with construction adhesive.
- Remove tabs as necessary for perimeter pedestals.
- Turn pedestals upside down or trim pedestal bases as necessary to fit around the perimeter.
- Decking pavers must not be spaced more than 3/16" (4.5 mm) from the perimeter containment.
- Adhere tabs into place with construction adhesive to maintain spacing between pavers when normal tab placement is not possible.



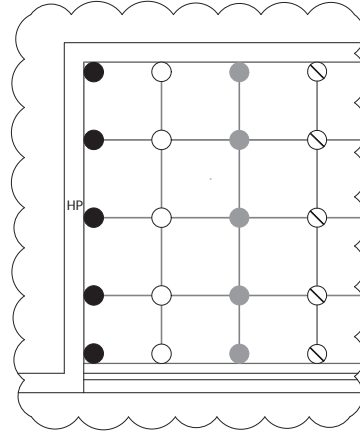
## A3 Low Elevation Placement

For low cavity heights the following pedestals are available:

LOW HEIGHT PEDESTALS	
MODEL:	HEIGHT:
VT18 or VT316	● 1/8" (3.175 mm)
HD25-18 or HD25-316	○ 1/4" (6.35 mm)
HD50-18 or HD50-316	● 1/2" (12.7 mm)
HD75-18 or HD75-316	⊗ 3/4" (19.05 mm)
LO-18 or LO-316	⊗ 1 1/4 - 2" (31.75 - 51 mm)

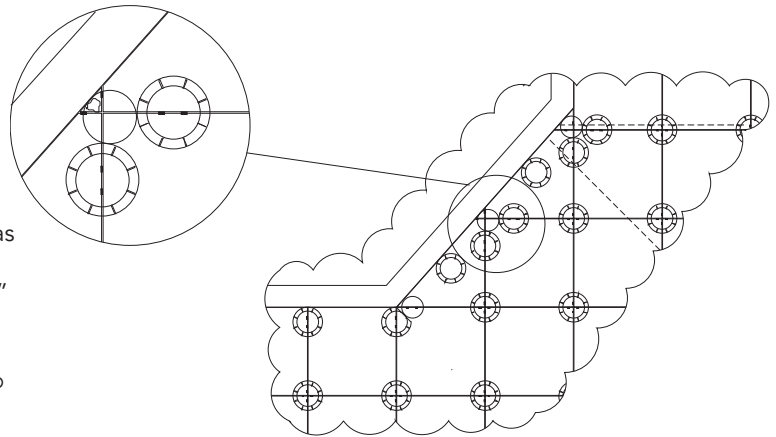
Shims can also be used to accommodate variations in height:

- 1/16" (1.588 mm) B11 Shim
- 1/8" (3.175 mm) PS1 Shim



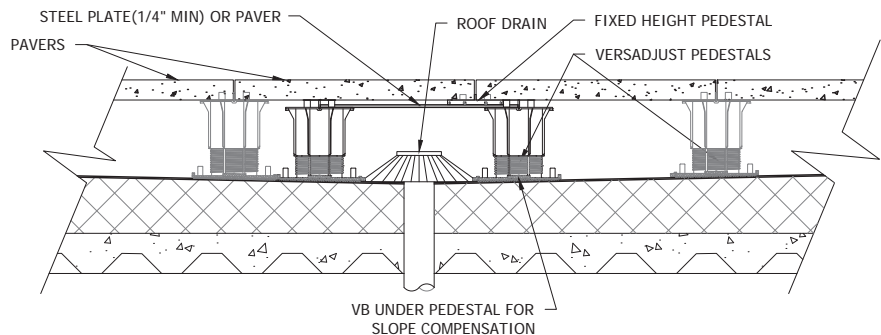
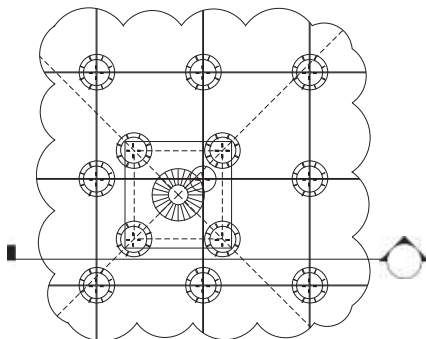
## A4 Diagonal Placement

- Use extra pedestals under small cut pieces for additional support.
- Adhere small pavers to top of pedestal with construction adhesive.
- Remove tabs as necessary for perimeter pedestals.
- Turn pedestals upside down or trim pedestal bases as necessary to fit around the perimeter.
- Decking pavers must not be spaced more than 3/16" (4.5 mm) from the perimeter containment.
- Adhere tabs into place with construction adhesive to maintain spacing between pavers when normal tab placement is not possible.



## A5 Drain Placement

- Elevate a steel plate or spare paver above the drain but below the deck itself.
- Use that elevated paver to support a pedestal where you need for the deck above.



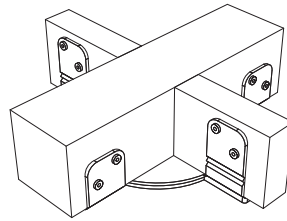
SECTION VIEW

## Working with Wood

### JT Wood Joist Top

Center Joist Top over Bison Pedestal. Using a screwdriver, insert screw (provided) into the hole in the center of the Joist Top and hand tighten to attach to the pedestal. Works with both 2x and 4x lumber. Attach joist(s) to Joist Top using #8 deck screws (NOT provided).

**IMPORTANT:** When attaching to the pedestal - DO NOT OVER-TIGHTEN SCREW.

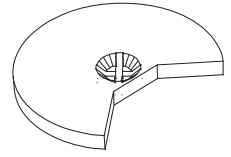


AS SHOWN: JOIST TOP WITH 2x4 AND 4x4 JOISTS

### FS-1 Wood Tile Fastening Kit\*

Place FS-1 washer in the kerf between the surface planks and the runners. Screw FS-1 washer through center hole of spacer tab set and into pedestal.

Make sure that washer clamps all corners of wood tiles and then tighten. To remove a wood tile: Loosen screw, and, using a screwdriver, rotate FS-1 washer to release wood tile.



## Working with Shims

### PS1 1/8" (3.175 mm) Shims - Plastic

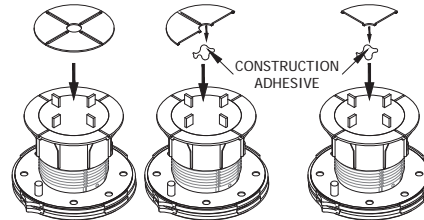
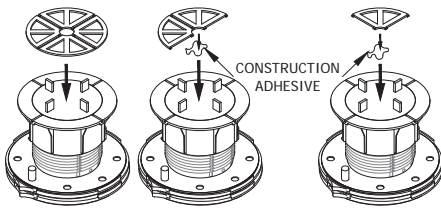
PS1s may be placed on top of pedestals to accommodate for minor leveling of pavers with thickness variations. Use no more than 2 shims. If using only quarter segment, adhere it to the pedestal with construction adhesive.

### B11 1/16" (1.588 mm) Shims - Rubber

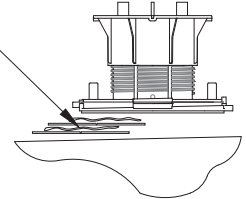
B11s may be placed on top of pedestals to accommodate for minor leveling of pavers with thickness variations. Use no more than 2 shims. If using only quarter segment, adhere it to the pedestal with construction adhesive.

### PS1 and B11 Shims Under Pedestals

Place shims (whole or in segments) under the pedestal in a stairstep fashion to compensate for sloping substrates. Use no more than 2 shims. Adhere them to each other and to the pedestal with construction adhesive. **IMPORTANT: DO NOT ADHERE TO SUBSTRATE.**



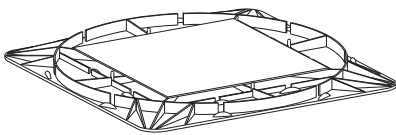
ADHERE SHIMS IN PLACE WITH CONSTRUCTION ADHESIVE



## Pedestal Base Pads

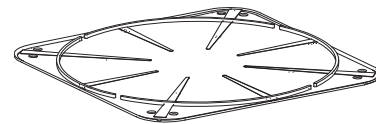
### Floating Insulation Base (FIB)

If common roof insulation is installed immediately below the membrane, the type and density of the insulation is of utmost importance. For roofing systems having insulations with a medium density of 20-40 psi (137.895 - 275.79 kPa), Bison requires an FIB to installed immediately below each Bison Pedestal to disperse the deck load. Please refer to Bison specifications for proper use.



### Floating Foundation Base (FFB)

FFBs are required for use beneath all Bison Pedestal decks installed on grade (soil). Level the surface and set the FFB directly on grade as a base below each pedestal.



## Maintenance Guide

Routine maintenance of your paver deck system will enhance the beauty, reduce major repairs, and prolong the life of your deck. Below is a list of maintenance guidelines that should be performed on a regular basis:

1. Check for pavers that rock. If you notice pavers rocking back and forth while walking on the deck, simply lift the paver up and shim one or more corners until the paver is level on all four corners. To ensure pedestal stability, make sure to not exceed the thread engagement indicators. Bison 1/16" (1.588 mm) B11 Shims or 1/8" (3.175 mm) PS1 Shims can be ordered and shipped.
2. Depending on substrate materials, some settling and/or deflection can occur. Remove the paver and adjust the pedestal until a level height is achieved. You may need to do this to more than one pedestal to level out an area.
3. Clean drains and scuppers on a regular basis. Water should completely drain off the roof deck within 48 hours after rainfall, under ambient drying conditions. Standing or pooling water can be detrimental to some waterproofing systems.
4. Periodically check the spacer tabs between pavers, and replace broken spacer tabs immediately. Loss of spacer tabs could create unsafe deck movement.
5. Make sure the edge restraint remains intact. There should not be room around the perimeter of the deck in excess of 3/16" (4.5 mm) width which would allow for lateral movement of the pavers and create an unsafe condition.
6. Follow paver manufacturers' suggestions for upkeep and maintenance of the pavers.